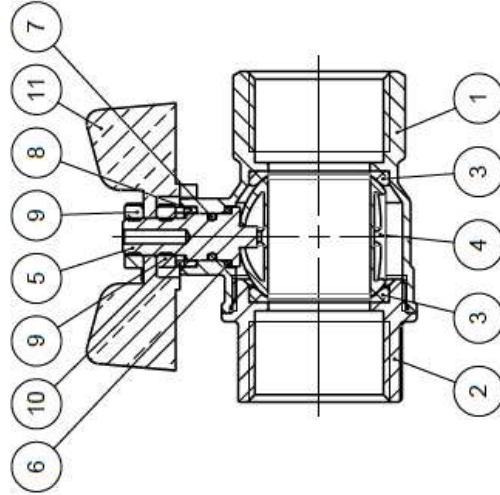
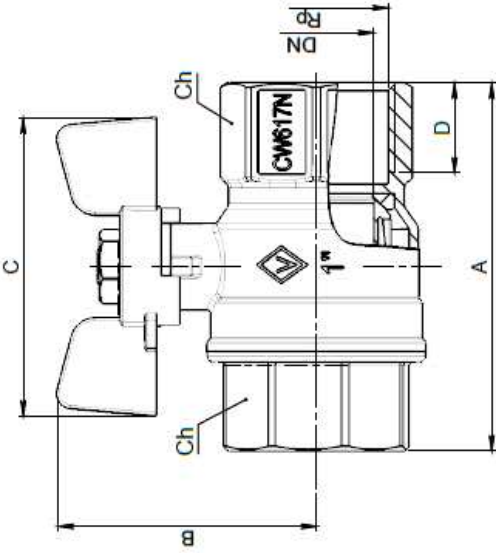
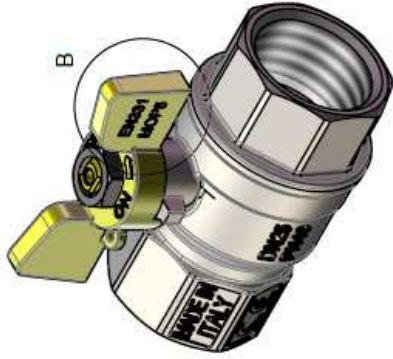


DETTAGLIO B
SCALA 1:2-1



DN	Rp	A	B	C	D	Ch	KV	PN
15	1/2"	59	40.5	53	15	25	16.3	MOP5
20	3/4"	67	47	63	16.3	31	29.5	MOP5
25	1"	79	55	63	19.1	38	43	MOP5
32	1 1/4"	95	60	73	21.4	47	89	MOP5

ART 555G	
<i>Forged brass ball valve, full port, F-F, with aluminium T-handle. Size from 1/2" to 1 1/4"</i>	
SPECIFICATION	
Series	500
Thread ends	Female-Female: UNI EN 10226
Orifice	from 15 to 32 mm
Actuator	90° rotation with mechanical stop
Operator	Aluminium T-handle
APPLICATION	
Assembly in rigid pipe system	
Nominal pressure (PN) in bar: MOP5	
Direction of flow: as desired	
Temperature range: -20 °C / + 60 °C	
Use: Gas	

N°	Descrizione	Description	Materials	Treatment	Q.ty
1	Corpo	Body	CW617N	Nickel-Plated	1
2	Manicotto	End connection	CW617N	Nickel-Plated	1
3	Guarnizione Sfera	Ball Seal	PTFE		2
4	Sfera	Ball	CW617N	Ni+Cr	1
5	Perno	Stem	CW614N		1
6	Guarnizione inferiore	Lower seal	PTFE		1
7	O-Ring	O-Ring	NBR70sh		1
8	Guarnizione superiore	Upper seal	PTFE		1
9	Dado	Nut	STEEL	Zinc-Plated	2
10	Rondella	Brass ring	CW614N		1
11	Farfalla	T-handle	ALUMINIUM	Printed	1

Denominazione particolare / Name		ART. 555G	
Materiale / Material		CW617N	
Trat. Superficie / Surface Treat.		Nickel-Plated	
N° Disegno / Drawing N°		1/1	
Data / Date		1/1	
Approvato / Approved by		A3	
Disegnato / Designed by		A3	
Scala / Scale		1:1	
Foglio / Tab.		1/1	
Valore per / Available for		Produzione	
Revisione / Revision		-	
Peso / Weight		g	
Misure / Size		1 1/2" - 1 1/4"	
Qualità senza indicazione di tolleranza:		MEDIA UNI-ISO 2768/1	
Rugosità Generale		General Roughness	



TOM H.M.S.A.